

XT-20P IP Ceiling Speaker Data Sheet

| | |
|---------------------------|-------------------------|
| Network transmission rate | 10/100M self-adaptation |
| Frequency response | 100HZ-18KHZ |
| Audio sampling rate | 8KHZ-44.1KHZ |
| Work temperature | -20°C~+50°C |
| Work Humidity | 10%—90% (no condensing) |

Fault Exclude

| Trouble phenomenon | Fault reason & exclude |
|--------------------------------------|--|
| Why the terminal is still "offline"? | <p>1. Check the software server and the main controller is normal opened or not. It's required to close all firewall before open the software server (including system built-in firewall and other antivirus software firewall).</p> <p>2 Check the network connection is normal or not. After the terminal powered on, the network port green light is norm on, meantime the orange light will be short and fast flash, it means the network cable hard-connected normal. If the network port green light is not on, it means the network hard-connected problem; please check the terminal network cable and switcher whether they work normal, damaged and disconnect or not etc.</p> <p>3 Check the terminal IP setting. Please check the terminal ID, sever IP, local IP, gateway IP ...etc parameters.</p> |
| Web display abnormal? | Emptying the cache or modify the browser. |

Packing List



Installation manual 1 pcs



Waterproof Connector 1 pcs

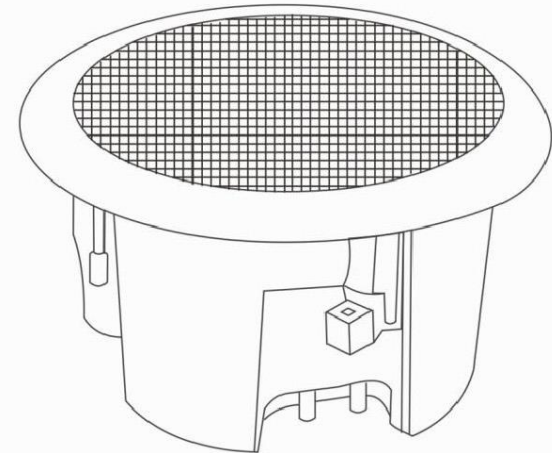


Certification 1 pcs

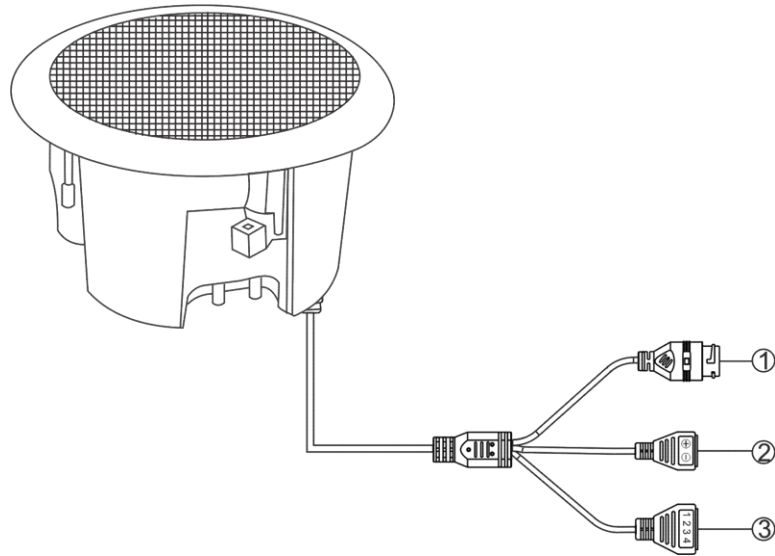


XT-20P

IP CEILING SPEAKER Data-Sheet



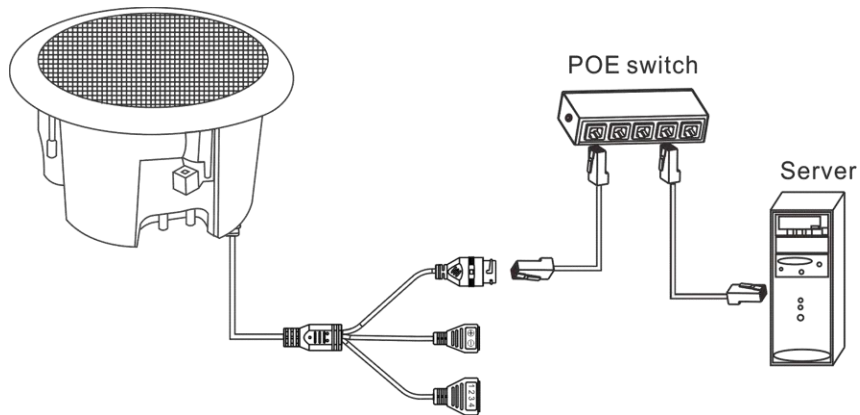
Interface Description



① Network interface: connect POE switcher with cables. (There is no need to connect the power as the device support POE power supply).

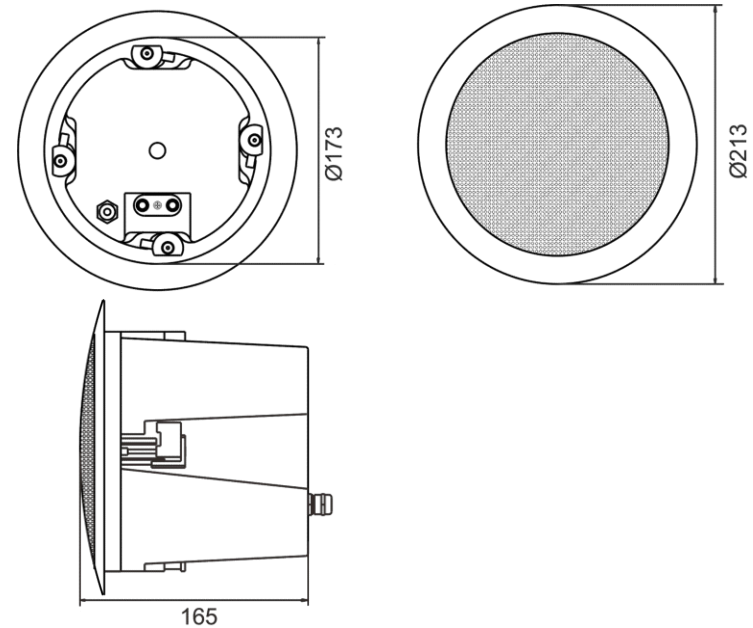
Note: ②③ for reserved interface, not yet enabled.

Wiring



Note: Please refer to the user manual for more detailed information.

Appearance Installation Dimension Diagram (unit: mm)



Network parameters configuration

(1) Please input the IP address of IP ceiling speaker to the address column of the browser (the factory default IP address is **192.168.1.101**), then hitEnter.

(2) Enter into the user name and password in the web page (The default user name and password is **admin**, then click OK.

Specification, Functional Parts and Parameters

| | |
|---------------------------------------|-------------------------|
| Power supply | POE power supply |
| Max SPL | 97dB±3dB |
| Sensitivity | 88dB±3dB/W/M |
| Network protocol | UDP,ARP,ICMP,HTTP,IGMP |
| Stand-by power consumption | ≤5W |
| Main speaker power(DC power supply) | 2*7W/ (mono connection) |
| Main speaker power (POE power supply) | 2*7W/ (mono connection) |
| Auxiliary line audio input | 1Vrms/10KΩ imbalance |